

OP-SFP+-AXX

10G SFP+ to SFP+ Active Optical Cable

Features

- ◆ Hot pluggable
- ◆ Bit rate support from 1G to 11.3Gbps
- ◆ Operating environment temperature 0 ~ 70°C
- ◆ Low power consumption
- ◆ SFP+ housing with enhanced EMI shielding
- ◆ Single 3.3V power supply
- ◆ RoHS complaint



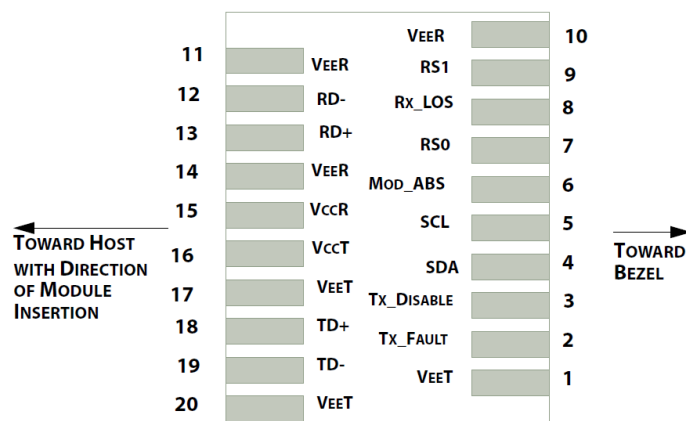
Applications

- ◆ 10G Ethernet
- ◆ Applicable to 8G / 4G / 2G / 1G Fiber Channel
- ◆ Applicable to 1X DDR / 1x SDR Infiniband
- ◆ Data center and in-rack connection

Compliance

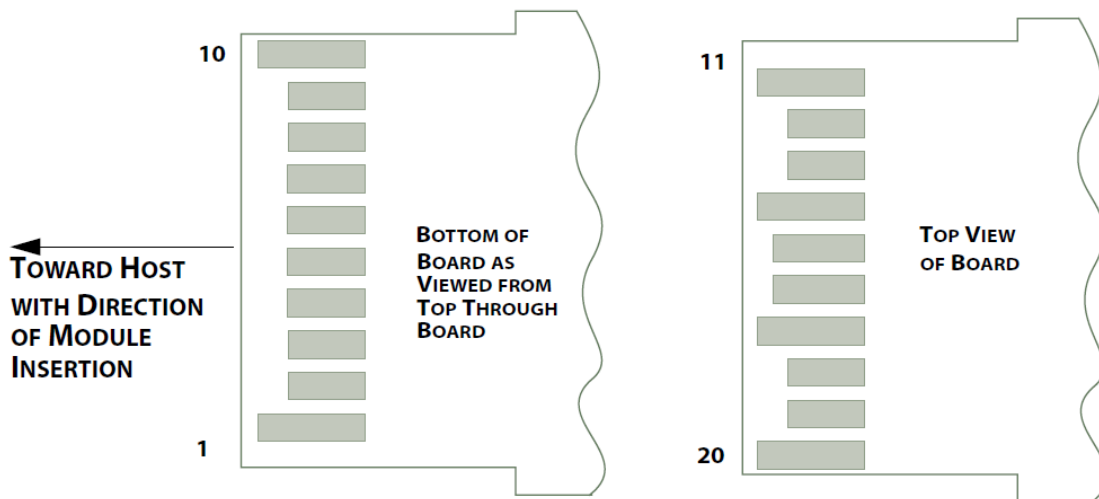
- ◆ SFF-8431 SFP+ Electrical MSA
- ◆ SFF-8432 SFP+ Mechanical MSA

Host Board Connector Pin (Top View)



Note: For detail information, please refer to SFF-8083 0.8mm Card Edge Connector for 8/10 Gbps Applications

SFP+ Connector Pin



Pin	Symbol	Logic	Description	Note
1	VeeT		Module Transmitter Ground	1
2	Tx_Fault	LVTTL-O	Not supported.	3
3	Tx_Disable	LVTTL-I	Not supported.	3
4	SDA	LVTTL-I/O	2-wire Serial Interface Data Line	2
5	SCL	LVTTL-I/O	2-wire Serial Interface Clock	2
6	Mod_ABS		Module Absent	2
7	RS0	LVTTL-I	Not supported.	3
8	Rx_LOS	LVTTL-O	Not supported.	3
9	RS1	LVTTL-I	Not supported.	3
10	VeeR		Module Receiver Ground	1
11	VeeR		Module Receiver Ground	1
12	RD-	CML-O	Receiver Inverted Data Output	
13	RD+	CML-O	Receiver Non-Inverted Data Output	
14	VeeR		Module Receiver Ground	1
15	VccR		Module Receiver 3.3 V Supply	4
16	VccT		Module Transmitter 3.3 V Supply	4
17	VeeT		Module Transmitter Ground	1
18	TD+	CML-I	Transmitter Non-Inverted Data Input	
19	TD-	CML-I	Transmitter Inverted Data Input	
20	VeeT		Module Transmitter Ground	1

Notes:

1. Module circuit ground pins are isolated from the module chassis ground.
2. Pull up to $V_{CC_{Host}}$ with 4.7k – 10k Ω .
3. No connection required.
4. Power supply filtering circuit required.

Absolute Maximum Ratings

Parameter	Symbol	Min	Max	Unit
Storage Temperature	Ts	-40	+85	°C
Operating Case Temperature	Tc	-40	+85	°C
Operating Humidity	RH		85	%
Supply Voltage	Vcc	-0.5	3.6	V

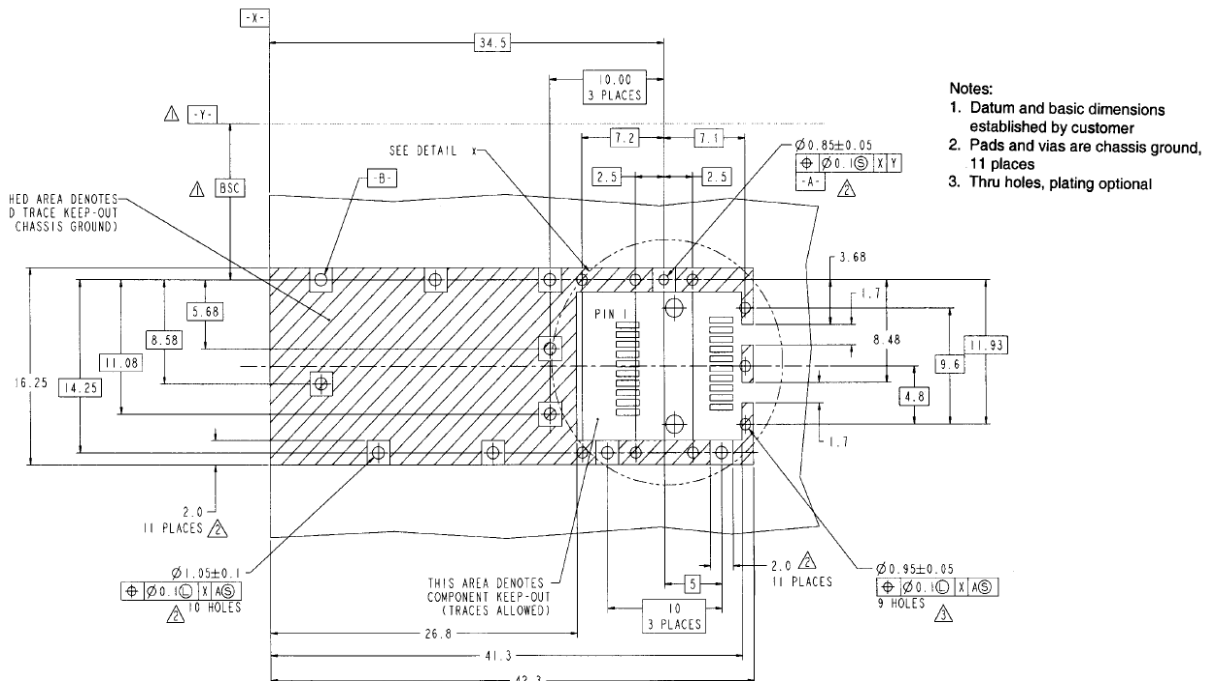
Note:

Damage may occur if the transceiver is subjected to conditions beyond the limits.

Recommended Operating Conditions

Parameter	Symbol	Min	Max	Unit
Operating Case Temperature	Tc	0	+70	°C
Supply Voltage	Vcc	3.1	3.5	V
Bit Rate	BR	1	11.3	GBd

Host PCB Layout





Optinet Technology Co., Ltd

Add: 4th Floor Xiufeng Industrial Park, Buji Street, Longgang District, Shenzhen, China 518112

Tel: +86-755-28471034 Fax: +86-755-61824579

www.optinetec.com sales@optinetec.com

ESD

This transceiver is specified as ESD threshold 1KV for high speed data pins and 2KV for all others electrical input pins, tested per MIL-STD-883, Method 3015.4 /JESD22-A114-A (HBM). However, normal ESD precautions are still required during the handling of this module. This transceiver is shipped in ESD protective packaging. It should be removed from the packaging and handled only in an ESD protected environment.

Ordering information

Part Number	Product Description	Fiber Type
OP-SFP+-A1	10G SFP+ Active Optical Cable 1m	OM2 or OM3
OP-SFP+-A3	10G SFP+ Active Optical Cable 3m	OM2 or OM3
OP-SFP+-A5	10G SFP+ Active Optical Cable 5m	OM2 or OM3
OP-SFP+-A7	10G SFP+ Active Optical Cable 7m	OM2 or OM3
OP-SFP+-A10	10G SFP+ Active Optical Cable 10m	OM2 or OM3
OP-SFP+-A15	10G SFP+ Active Optical Cable 15m	OM2 or OM3
OP-SFP+-A20	10G SFP+ Active Optical Cable 20m	OM2 or OM3
OP-SFP+-A25	10G SFP+ Active Optical Cable 25m	OM2 or OM3
OP-SFP+-A30	10G SFP+ Active Optical Cable 30m	OM2 or OM3
OP-SFP+-A50	10G SFP+ Active Optical Cable 50m	OM2 or OM3
OP-SFP+-A100	10G SFP+ Active Optical Cable 100m	OM2 or OM3
OP-SFP+-AXX	10G SFP+ Active Optical Cable Length Customize	OM2 or OM3