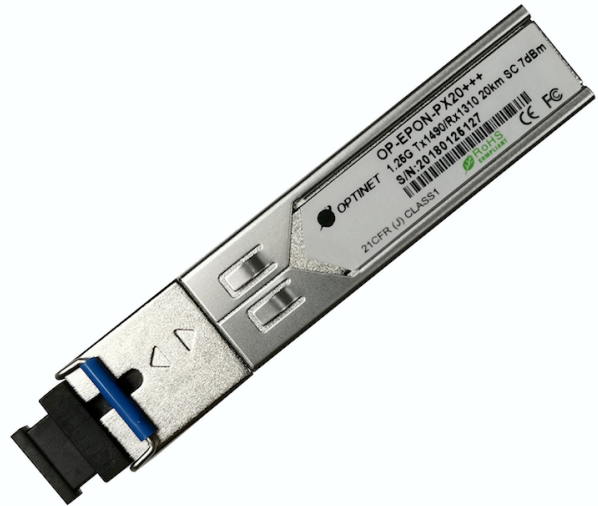


OP-EPON-PX20+++ EPON OLT PX20+++ SFP Module, 1.25G Tx1490/Rx1310 20km SC

Product Features

- Compatible IEEE 802.3ah 1000BASE-PX20/PX20+++ GEAPON application
- Applied to EPON OLT for a Single Fiber Bi-directional EPON System
- Single SC connector, Digital Diagnostic Interface Compliant with SFF-8472
- Burst Digital Receiving Signal Strength Indication (RSSI)
- Operation temperature 0-70°C for Commercial
 -10~85°C for Extended, -40~85°C for industrial
- Single 3.3V power supply
- RoHS compliance



Absolute Maximum Ratings

Parameter	Unit	Min.	Typical	Max.
Power Supply	V	0		4.2
Storage Ambient	°C	-40		85
Operating Case	°C	0		70
Operating Relative	%	5		95
Receiver Damaged	dBm	0		

Operating Condition

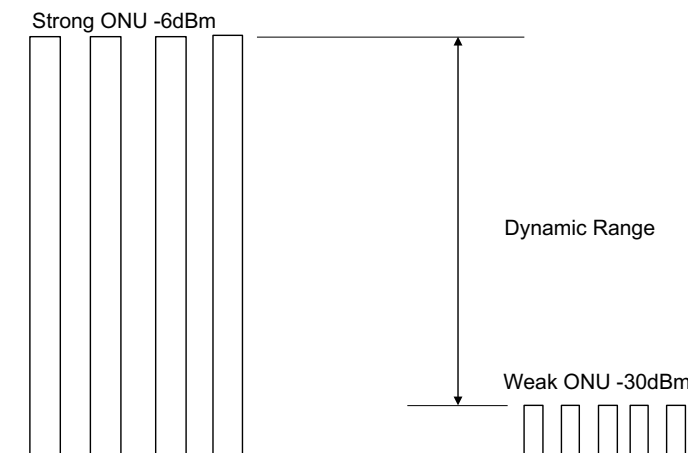
Parameter	Unit	Min.	Typical	Max.
Power Supply	V	3.1	3.3	3.5
Operating Case Temp for	°C	-10		70
Operating Case Temp for	°C	-25		85
Operating Case Temp for	°C	-40		85
Operating Relative	%	5		95
Data Rate(TX/RX)	Gbit/s		1.25	

Optical Characteristics

Parameter	Unit	Min.	Typ.	Max.
TX Central Wavelength	nm	1480		1500
Spectral Width (-20dB)	nm			1
SMSR	dB	30		
Mean Launched Power	dBm	7		9
Mean Launched Power (TX Off)	dBm			-39
Extinction Ratio(Note 1)	dB	9		
TX Total Jitter	UI			0.43
Rise/Fall Time (20%-80%)	ps			260
RIN ₁₅ OMA	dB/H			-115
Optical Return Loss Tolerance	dB			-12
Transmitter and dispersion Penalty(20km G.652)	dB			2.3
TX Optical Eye Mask	Compliant With IEEE Std			
Receive Wavelength	nm	1260		1360
Sensitivity (Note 2)	dBm			-32
Overload	dBm	-6		
Receiver Threshold Settling	ns			250
RX Dynamic Range(Note 3)	dBm	-30		-6
LOS-Deassert	dBm			-34
LOS-Assert	dBm	-45		
SD Hysteresis	dB	0.5		6
Receiver Reflectance	dB			-12

Note:

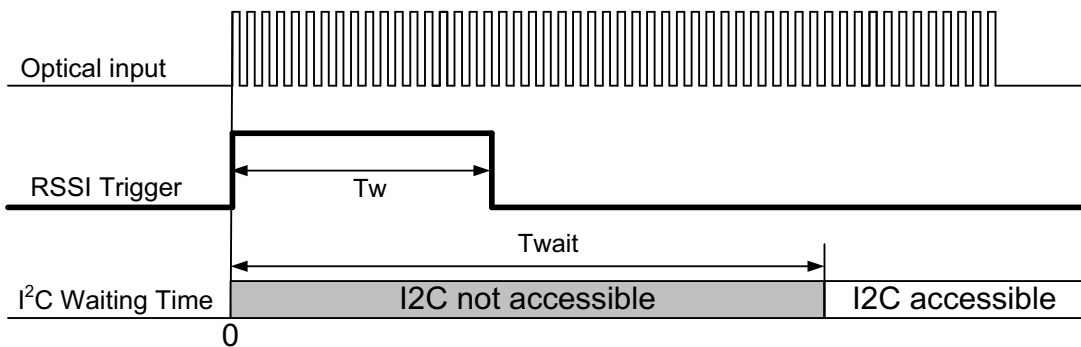
1. Measured with PRBS 2⁷-1 test pattern @1.25Gbps, Low Pass Filter is on.
2. Measured with a PRBS 2⁷-1 test pattern @1.25Gbps and ER=10dB, BER =10⁻¹²
3. RX Dynamic Range Definition



Electrical Characteristics

Parameter	Unit	Min.	Typical	Max.
Power Supply Current	mA			300
Data Input Differential	mV	200		1600
Data Differential Impedance	Ω	90	100	110
TTL Input -Low	V	0		0.8
TTL Input -High	V	2.0		Vcc
TTL Output -Low	V	0		0.4
TTL Output -High	V	2.4		Vcc
Data Output Differential	mV	400		1600
Los Assert Time	ns			500
Los Deassert Time	ns			500

RSSI Trigger Time Sequence



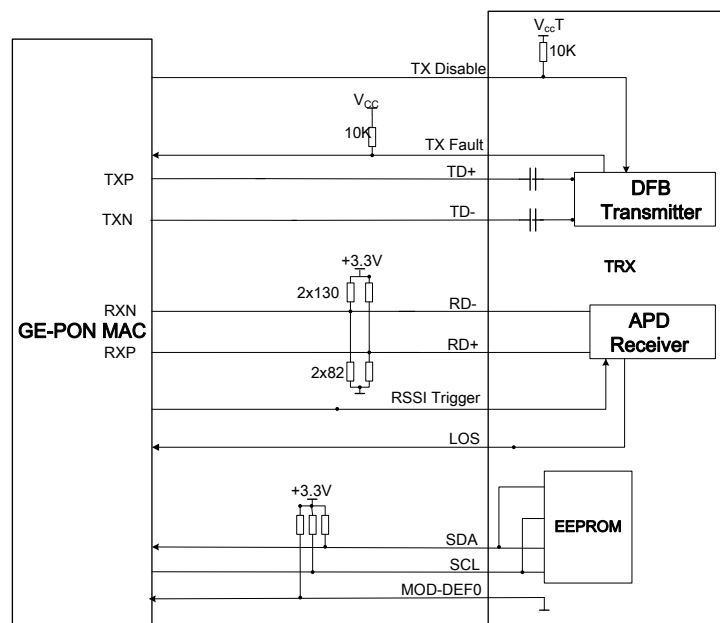
Item	Symbol	Min	Max	unit
Trigger width	T_w	1	1.25	us
I ² C Waiting Time	T_{wait}		500	us

Pin Definition

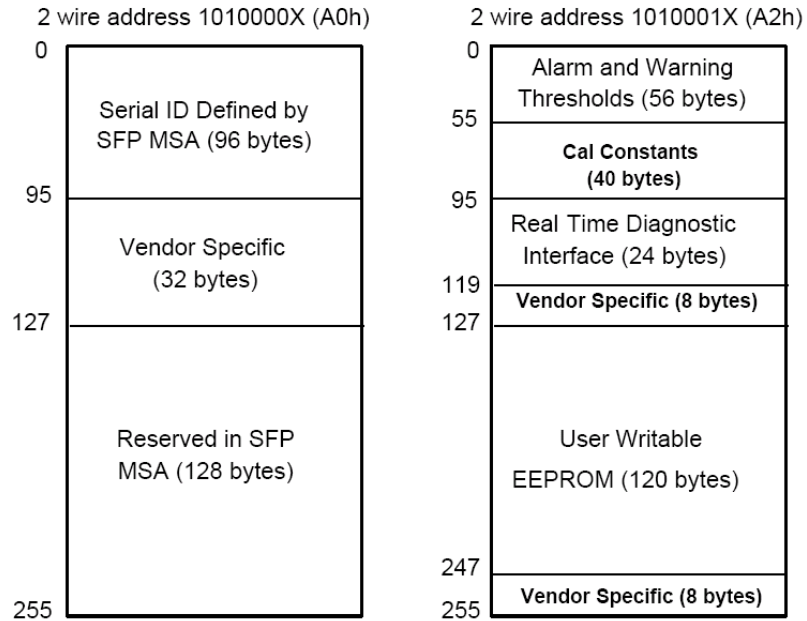
Pin No.	Name	Level/Logic	Function	Description
1	GNDT	NA	Ground	Transmitter Ground
2	TX_Fault	LVTTL	TX Fault	TX Fault Alarm, TX Fault State: High; TX Normal State: Low
3	TX_Dis	LVTTL	Transmitter Enable/Disable	Active High
4	MOD-DEF2	LVTTL	SDA	I2C clock
5	MOD-DEF1	LVTTL	SCL	I2C data
6	MOD-DEF	MOD-DEF		Module Definition 0,

	F0	0		Grounding in SFP
7	RSSI_Trig	LVTTTL	RSSI Trigger	Active High for Sampling
8	LOS	LVTTTL	Receiver Signal Detection	Loss of Signal. Asserted when light is off
9	GNDR	NA	Ground	Receiver Ground
10	GNDR	NA	Ground	Receiver Ground
11	GNDR	NA	Ground	Receiver Ground
12	RD-	LVPECL	Rx Data-	RX data NOT output, DC coupled output
13	RD+	LVPECL	Rx Data+	RX data output, DC coupled output
14	GNDR	GNDR	Ground	Receiver Ground
15	V _{cc} R	NA	Receiver Power Supply	Rx Power
16	V _{cc} T	NA	Transmitter Power Supply	Tx Power
17	GNDT	GNDT	Ground	Transmitter Ground
18	TD+	LVPECL	Tx Data+	TX data input, internally AC coupled with 100ohm terminated
19	TD-	LVPECL	Tx Data-	TX data NOT input, internally AC coupled with 100ohm terminated
20	GNDT	NA	Ground	Transmitter Ground

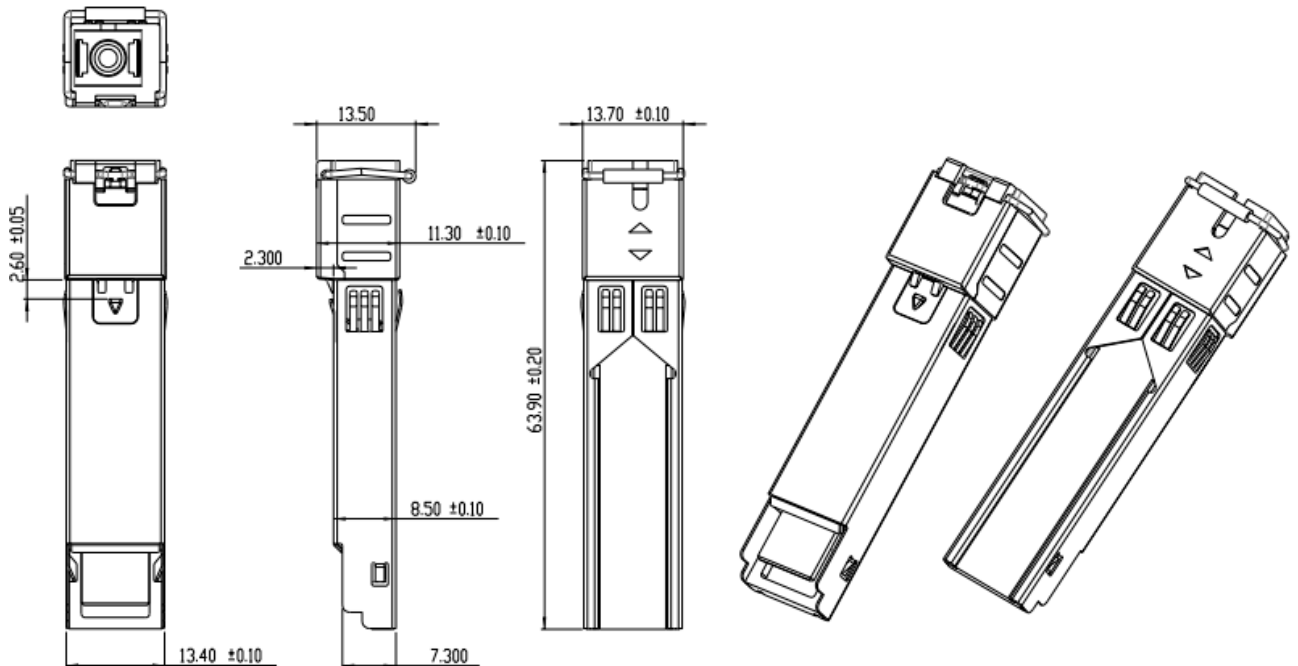
Recommended Interface Circuit



EEPROM Information



Mechanical Diagram



Ordering Information

P/N	Description
OP-EPON-PX20+++	EPON OLT PX20+++ SFP, 1.25G Tx1490nm/Rx1310nm 20km SC/UPC, 0~70°C temperature



Optinet Technology Co., Ltd

Add: 4th Floor Xiufeng Industrial Park, Buji Street, Longgang District, Shenzhen, China 518112

Tel: +86-755-28471034 Fax: +86-755-61824579

www.optinetec.com sales@optinetec.com

OP-EPON-PX20+++E	EPON OLT PX20+++ SFP, 1.25G Tx1490nm/Rx1310nm 20km SC/UPC, -10~85°C temperature
OP-EPON-PX20+++I	EPON OLT PX20+++ SFP, 1.25G Tx1490nm/Rx1310nm 20km SC/UPC, -40~85°C temperature